

Nano SPY U

Universal analog input mini-recorder
2,4 GHz radiofrequency communication



Non contractual photo

Presentation

The Nano SPY U mini recorder is designed to measure and record data coming from the following types of analog sensors: PT100, current (4-20 mA / 0-20mA), voltage (0-1V), counting or dry contact.

It transmits the data to a nearby LINK module via 2.4 GHz radio frequency communication. The data are then automatically sent to the JRI secure Cloud for hosting, and will be managed from the JRI-MySirius application.

If thresholds are exceeded, alerts are transmitted in real time to react immediately.

Benefits

- **Easy-to-use**
The sensor is ready to use and has operating and alarm lights



- **Excellent measurement accuracy**

Technical features

| | |
|--------------------------------------|----------------------------------------------------------------------------------------------------------------------------------------------------------------|
| Interface | Status LED lights, On / Off sensitive button |
| Memory | 10 000 data points |
| Communication frequency | 2,4GHz |
| Operating conditions | 0°C to +50°C |
| Cable length | 2m |
| Measuring and transmission interval | Adjustable from 5 sec to 12 hrs |
| Recording interval (internal memory) | Adjustable from 1 mn to 24 hrs |
| Response time S_{90} | Depending on sensor |
| Protection | IP65 |
| Case | Polycarbonate – Food contact |
| Dimensions and weight | 63 x 42 x 25 mm / ~ 60 g |
| Power supply | Replaceable lithium 3,6v battery |
| Autonomie | 6 years |
| Fixation | Fixing eyelets and integrated magnets |
| Delivred with | Battery, JRI Blue Identification Ring, double-sided tape and protective shell user manual downloadable on www.jri-mms.com |
| Compliance | CE, ROHS, FCC, EN 300 328 |



Fixing eyelets



Replaceable battery and non disconnectable probe



Connector for analog

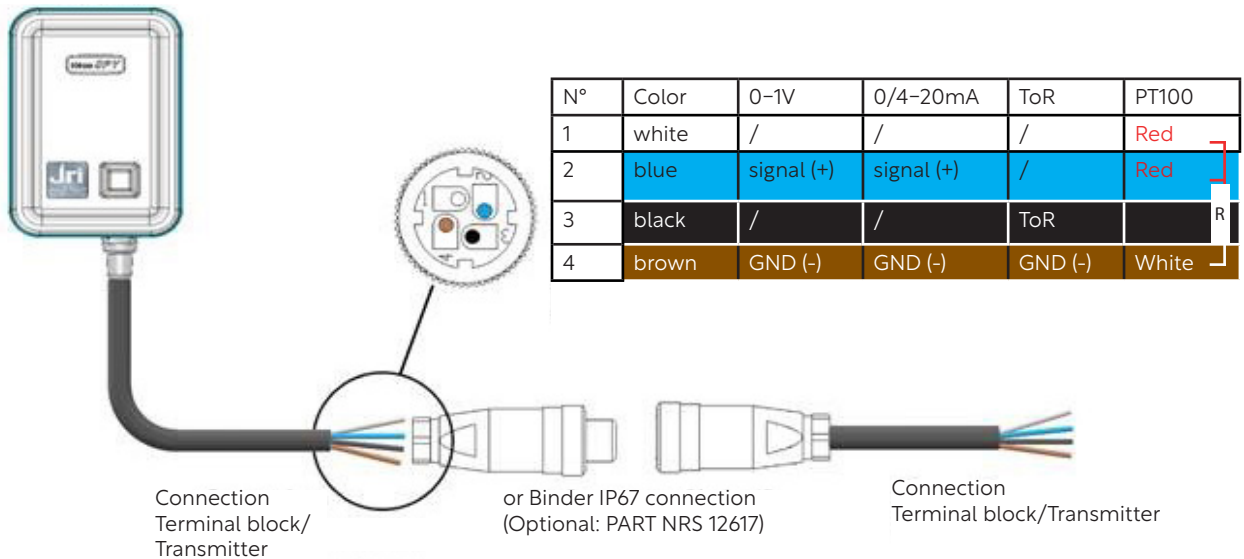
| Type of input | PT100 | Current | Voltage | Counting/ TOR Dry contact or 0-3.3V max |
|-------------------|---------------------------------------------------------------------------------------------------------|-------------------------|----------|-----------------------------------------------------|
| Measurement range | -150°C to +300°C | 0 to 20 mA or 4-20mA | 0-1V | 0 to 65535 signal 0-200Hz |
| Resolution | 0,01°C | 0,001 mA | 0,1 mV | 1 |
| Accuracy * | ±0,2°C from -20°C to +50°C ±0,3°C from -80°C to -20°C and from +50°C to +140°C ± 0,5°C outside | ± 0,05 mA | ± 0,5 mV | ± 1 |

* The MPEs described in this data sheet are only those of the Nano SPY U data logger to which it is necessary to add the MPE of the connected sensor to know the MPE of the complete chain.

PART NRS:
12540 E : Nano SPY U
12540 X : Nano SPY U without
battery

Document non contractual

Connection



The Nano SPY U is equipped with a 4-wire cable for easy connection to sensor terminals with analogue outputs of different kinds. These sensors may, if necessary, be disconnected from the recorder for replacement or exchange of the recorder itself.

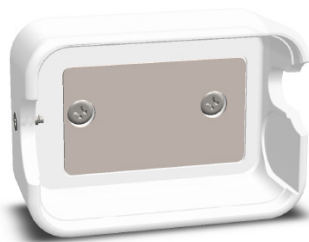
An IP67 Binder connector (optional) can be used to facilitate sensor connection.

V4 Version

New hardware release version 4, optimized to work with firmware versions 6.2 and later. This version enables PT100 cable lengths to be compensated for without factory adjustment. This new NANO SPY U is easily recognizable thanks to its blue wire grommet (see photo below).



Accessories



Protective shell Part nr. 12715

The protective shell is used to protect all Nano SPY mini-data loggers from shocks. It is supplied with a double-sided adhesive to be glued to all surfaces and an anti-theft screw for the Nano SPY. It can also be screwed (screws not supplied).



Binder connection pack for Nano SPY U (IP67 ADAPTER) Part nr. 12617

The Binder connection pack is designed to link the Nano SPY U to the device connected to it. It provides a clean, isolated connection (IP67).